

Istanbul

Multiple springs o-ring/wedge seals



Technical features

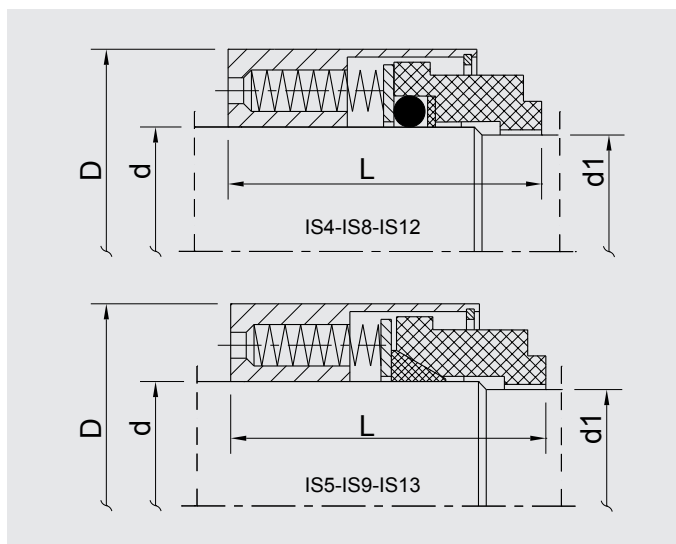
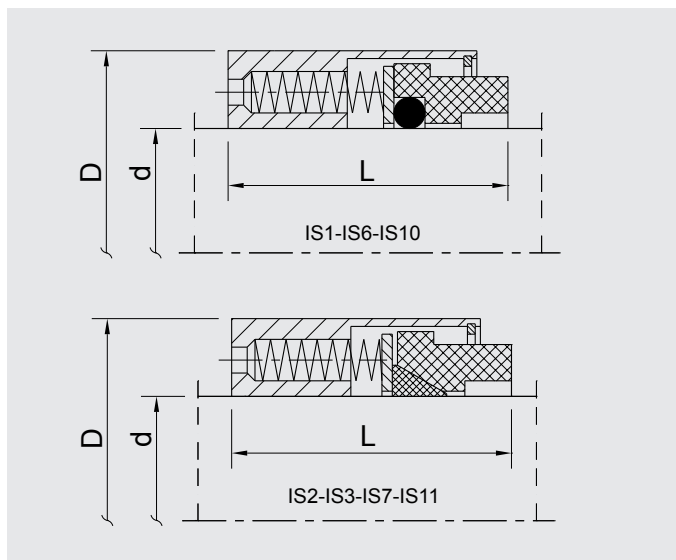
- Single seal
- Balanced/Unbalanced
- Multiple springs
- Bi-directional

Operating limits

P = 348 to 580 PSI
 T = -95 to 320°F
 V = 82 ft/s

Available products:

- | Metric size | Imperial size | Imperial size |
|--------------------|----------------------|----------------------|
| • Istanbul 1 (IS1) | • Istanbul 6 (IS6) | • Istanbul 11 (IS11) |
| • Istanbul 2 (IS2) | • Istanbul 7 (IS7) | • Istanbul 12 (IS12) |
| • Istanbul 3 (IS3) | • Istanbul 8 (IS8) | • Istanbul 13 (IS13) |
| • Istanbul 4 (IS4) | • Istanbul 9 (IS9) | |
| • Istanbul 5 (IS5) | • Istanbul 10 (IS10) | |



Description	Materials
Primary rings	silicon carbide, tungsten carbide, carbon graphite
Mating rings	silicon carbide, tungsten carbide, ceramic
Secondary seals	NBR, EPDM, PTFE, Viton
Metal parts	Stainless 304 / Stainless 316*, Hastelloy

* upon request

Mating rings

- For IS1: ES1, ES3 (O-ring), ES2 (O-ring standard)
 - For IS2, IS3: ES3 (PTFE), ES2 (PTFE)
 - For IS6, IS8, IS10, IS12: ES4*, ES5*, FR1 (standard), FR2, FR3
 - For IS7, IS9, IS11, IS13: AU1*, AU5*, TR1*, TR2*, TR3*, TR4*
- For more details on mating rings see page 29

IS1 - IS2			IS3		IS4 - IS5				IS8 - IS9				IS12 - IS13		IS6 - IS7			IS10 - IS11	
d	D	L	D	L	d	d1	D	L	d	d1	D	L	D	L	d	D	L	D	L
14	24	23.0	28.4	21	18	14	32	30.5	-	-	-	-	-	-	.500	1.031	.812	.937	.937
16	26	23.0	30.8	19	20	16	34	30.5	.625	.500	1.187	1.062	-	-	.625	1.187	.750	1.062	.937
18	32	24.0	33.8	22	22	18	36	31.5	.75	.625	1.312	1.181	-	-	.750	1.312	.875	1.187	.937
20	34	24.0	34.8	24	24	20	38	31.5	.875	.750	1.437	1.260	-	-	.875	1.437	.937	1.312	.937
22	36	24.0	35.6	24	26	22	40	31.5	1.000	.875	1.562	1.312	1.437	1.312	1.000	1.562	1.000	1.437	1.000
24	38	26.7	38.8	25	28	24	42	34.2	1.125	1.000	1.687	1.375	1.562	1.375	1.125	1.687	1.062	1.562	1.000
25	39	27.0	39.8	25	30	25	44	34.5	1.250	1.125	1.875	1.375	1.687	1.375	1.250	1.875	1.062	1.687	1.000
28	42	30.0	43.4	27	33	28	47	37.5	1.375	1.125	2.000	1.437	1.937	1.687	1.375	2.000	1.125	1.937	1.375
30	44	30.5	46.4	27	35	30	49	38.0	1.500	1.250	2.125	1.437	1.937	1.437	1.500	2.125	1.125	1.937	1.125
32	46	30.5	49.7	29	38	33	54	38.0	1.625	1.375	2.375	1.750	2.250	1.593	1.625	2.375	1.375	2.250	1.156
33	47	30.5	-	-	40	35	56	38.0	1.750	1.500	2.500	1.750	2.312	1.750	1.750	2.500	1.375	2.312	1.375
35	49	30.5	51.3	29	43	38	59	39.5	1.875	1.625	2.625	1.750	2.500	1.750	1.875	2.625	1.375	2.500	1.375
38	54	32.0	54.5	29	45	40	61	39.5	2.000	1.750	2.750	1.750	2.625	1.750	2.000	2.750	1.375	2.625	1.375
40	56	32.0	59.6	35	48	43	64	39.5	2.125	1.875	3.000	2.062	2.812	2.062	2.125	3.000	1.687	2.812	1.687
43	59	32.0	64.0	35	50	45	66	39.5	2.250	2.000	3.125	2.062	2.843	1.750	2.250	3.125	1.687	2.843	1.375
45	61	32.0	64.7	35	53	48	69	39.5	2.375	2.125	3.250	2.062	3.000	2.062	2.375	3.250	1.687	3.000	1.687
48	64	32.0	67.2	35	55	50	71	44.0	2.500	2.250	3.375	2.062	3.125	1.750	2.500	3.375	1.687	3.125	1.375
50	66	34.0	69.6	35	58	53	78	44.0	2.625	2.375	3.500	2.062	3.250	2.062	2.625	3.500	1.687	3.250	1.687
53	69	34.0	-	-	60	55	80	44.0	2.750	2.500	3.625	2.062	3.375	2.062	2.750	3.625	1.687	3.375	1.687
55	71	34.0	77.7	43	63	58	83	49.0	2.875	2.625	3.750	2.062	3.500	2.062	2.875	3.750	1.687	3.500	1.687
58	78	39.0	-	-	65	60	85	49.0	3.000	2.750	3.812	2.062	3.625	2.062	3.000	3.812	1.687	3.625	1.687
60	80	39.0	82.7	43	68	63	88	49.0	3.125	2.875	3.937	2.062	3.750	2.062	3.125	3.937	1.687	3.750	1.687
63	83	39.0	-	-	70	65	90	49.0	3.250	3.000	4.125	2.062	3.875	2.062	3.250	4.125	1.687	3.875	1.687
65	85	39.0	87.7	43	75	70	95	55.5	3.375	3.125	4.250	2.062	4.000	2.062	3.375	4.250	1.687	4.000	1.687
68	88	39.0	-	-	80	75	104	55.5	3.500	3.250	4.375	2.062	4.125	2.062	3.500	4.375	1.687	4.125	1.687
70	90	45.5	92.6	43	85	80	109	55.0	3.625	3.375	4.500	2.062	4.250	2.062	3.625	4.500	1.687	4.250	1.687
75	95	45.5	96.3	43	90	85	114	60.0	3.750	3.500	4.625	2.062	4.375	2.062	3.750	4.625	1.687	4.375	1.687
80	104	45.0	101.1	43	95	90	119	60.0	3.875	3.625	4.750	2.062	4.500	2.062	3.875	4.750	1.687	4.500	1.687
85	109	45.0	107.7	43	100	95	124	60.0	4.000	3.750	4.875	2.062	4.625	2.062	4.000	4.875	1.687	4.625	1.687
90	114	50.0	112.7	43	105	100	129	60.0											
95	119	50.0	117.7	43															
100	124	50.0	122.7	43															