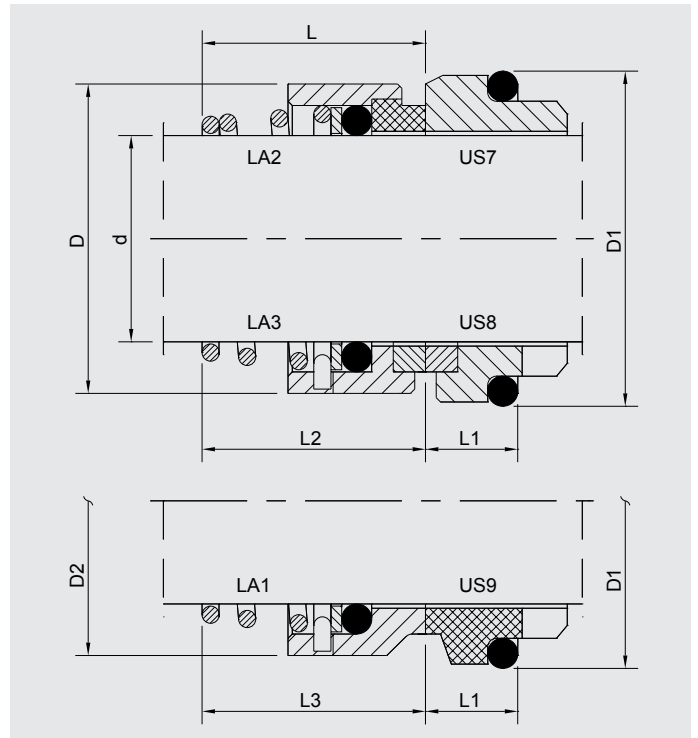


Los Angeles

Conical spring o-ring mounted seals



Technical features

- Single seal
- Unbalanced
- Conical spring
- Uni-directional
- To DIN 24960

Operating limits

P = 145 PSI
T = -95 to 320°F
V = 32 ft/s

Description	Materials
Primary rings	silicon carbide, tungsten carbide, carbon graphite, stainless
Mating rings	silicon carbide, ceramic, carbon graphite, stainless
Secondary seals	NBR, EPDM, Viton
Metal parts	Stainless 304 / Stainless 316*

* upon request

Available products:

- Los Angeles 1 (LA1)
- Los Angeles 2 (LA2)
- Los Angeles 3 (LA3)

Mating rings

- For LA1: US9 (standard, carbon only), US10 (carbon only)
- For LA2: US5, US7 (standard), US8 (carbide face shrink-fitted), US3
- For LA3: US5, US7 (standard), US8 (carbide face shrink-fitted), US9 (carbon only), US3, US10 (carbon only)

For more details on mating rings see page 29

d	D	LA2		LA3		LA1		US7 - US9		US8	
		L	L2	D2	L3	D1	L1	D1	L1		
10	20	16.9	16.5	19.0	15.5	21.0	10.0	21.0	10.0		
12	22	17.4	16.5	21.0	16.0	23.0	10.0	23.0	10.0		
14	24	17.4	16.5	23.0	16.5	25.0	10.0	25.0	10.0		
15	25	17.4	16.5	24.0	18.0	27.0	10.0	27.0	10.0		
16	26	19.5	16.5	26.0	18.0	27.0	10.0	27.0	10.0		
18	31	20.5	18.0	29.0	19.5	33.0	11.5	33.0	11.5		
20	34	22.0	19.0	31.0	22.0	35.0	11.5	35.0	11.5		
22	36	23.5	20.5	33.0	21.5	37.0	11.5	37.0	11.5		
24	38	25.0	22.0	35.0	23.5	39.0	11.5	39.0	11.5		
25	39	26.5	23.5	36.0	26.5	40.0	11.5	40.0	11.5		
28	42	26.5	24.5	40.0	26.5	43.0	11.5	43.0	11.5		
30	44	25.0	24.5	43.0	26.5	45.0	11.5	45.0	11.5		
32	46	28.5	28.0	46.0	28.5	48.0	11.5	48.0	11.5		
33	47	28.5	28.0	47.0	28.5	48.0	11.5	48.0	11.5		
35	49	28.5	28.0	49.0	28.5	50.0	11.5	50.0	11.5		
38	54	32.2	31.0	53.0	33.5	56.0	14.0	56.0	14.0		
40	56	34.7	34.0	56.0	36.0	58.0	14.0	58.0	14.0		
42	58	37.3	35.0	59.0	37.5	61.0	14.0	61.0	14.0		
43	59	37.3	36.0	59.0	38.5	61.0	14.0	61.0	14.0		
45	61	39.2	36.5	61.0	39.5	63.0	14.0	63.0	14.0		
48	64	44.7	42.0	64.0	46.0	66.0	14.0	66.0	14.0		
50	66	45.7	43.0	66.0	45.0	70.0	15.0	70.0	15.0		
53	69	49.0	43.0	69.0	47.0	73.0	15.0	73.0	15.0		
55	71	49.0	47.0	71.0	49.0	75.0	15.0	75.0	15.0		
58	78	52.0	50.0	76.0	55.0	78.0	15.0	78.0	15.0		
60	79	53.0	51.0	78.0	55.0	80.0	15.0	80.0	15.0		
63	83	54.0	51.0	83.0	55.0	83.0	15.0	83.0	15.0		
65	85	54.3	52.0	84.0	55.0	85.0	15.0	85.0	15.0		
68	88	55.3	52.7	88.0	55.0	90.0	18.0	90.0	18.0		
70	90	56.3	54.0	90.0	57.0	92.0	18.0	92.0	18.0		
75	98	56.3	54.0	98.0	62.0	97.0	18.0	97.0	18.0		
80	103	59.3	58.0	100.0	61.8	105.0	18.2	105.0	18.2		